

REAR BUMPER KIT



P/N 2884847

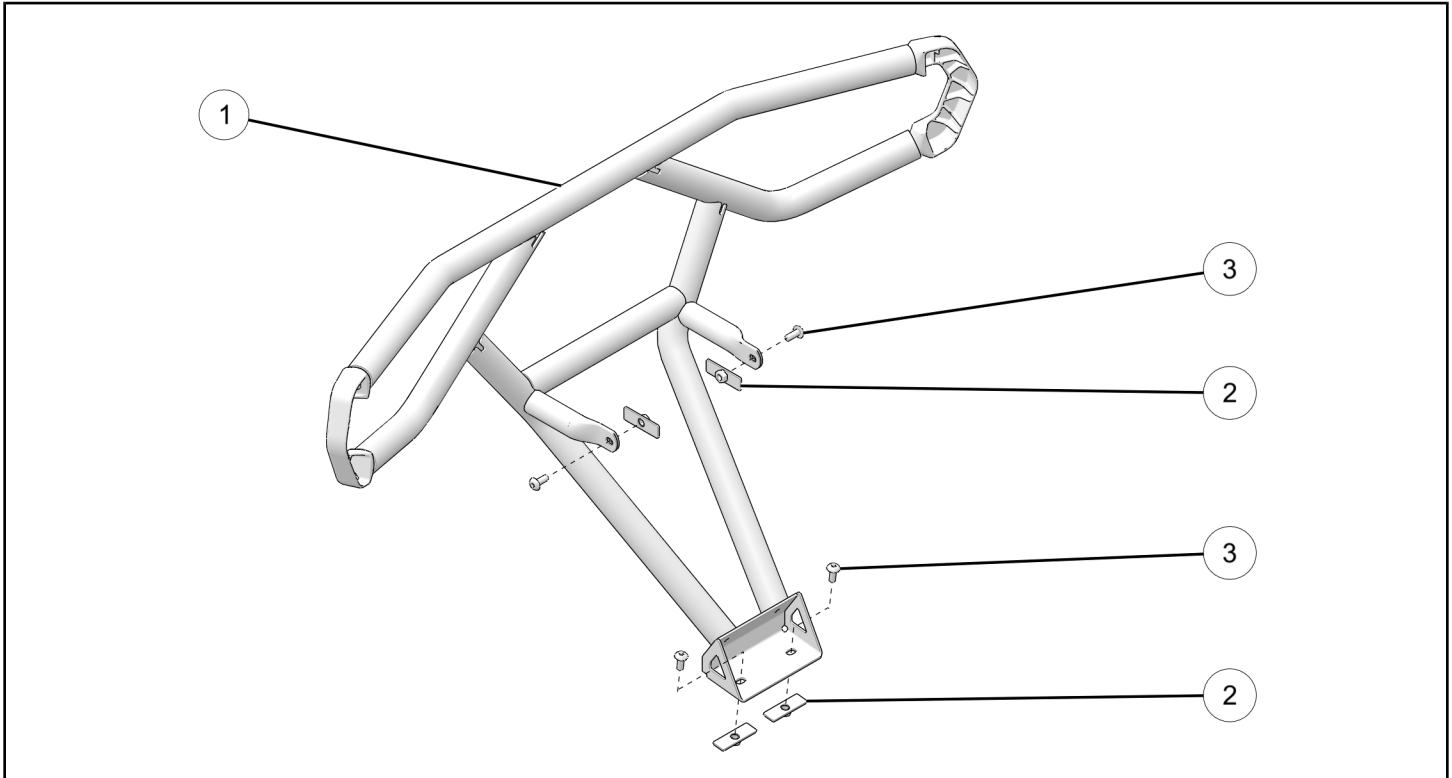
BEFORE YOU BEGIN

Read these instructions and check to be sure all parts and tools are accounted for. Please retain these installation instructions for future reference and parts ordering information.

APPLICATION

Verify accessory fitment at www.polaris.com.

KIT CONTENTS



REF	QTY	PART DESCRIPTION	P/N AVAILABLE SEPARATELY	AVAILABLE SERVICE KIT
1	1	Rear Bumper	N/A	N/A
2	4	Bumper Weld-Mount	N/A	2208769
3	4	Screw, Torx Drive Truss Head, M8 X 1.25 X 20	N/A	2208769

TOOLS REQUIRED

- Safety Glasses
- Socket Set, Torx® Bit
- Torque Wrench

IMPORTANT

Your Rear Bumper Kit is exclusively designed for your vehicle. Please read the installation instructions thoroughly before beginning. Installation is easier if the vehicle is clean and free of debris. For your safety, and to ensure a satisfactory installation, perform all installation steps correctly in the sequence shown.

INSTALLATION INSTRUCTIONS

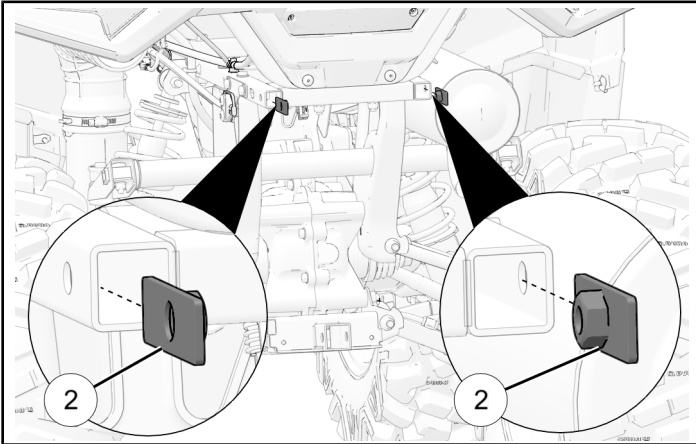
VEHICLE PREPARATION

GENERAL

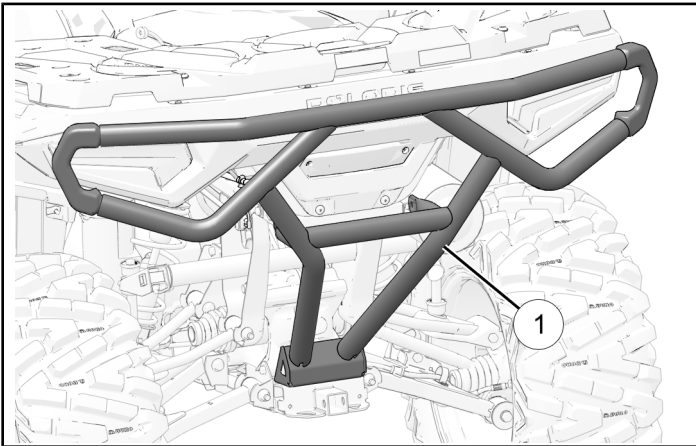
1. Park vehicle on a flat surface.
2. Push engine stop switch to the OFF position.
3. Turn key to the OFF position and remove key.

ACCESSORY INSTALLATION

1. Install the bumper weld-mounts ② provided in the kit into the upper frame tubes.



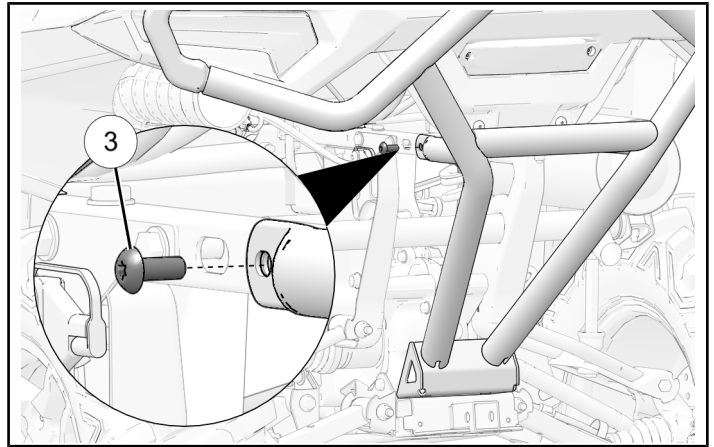
2. Slide the rear bumper ① into place and align mounting holes.



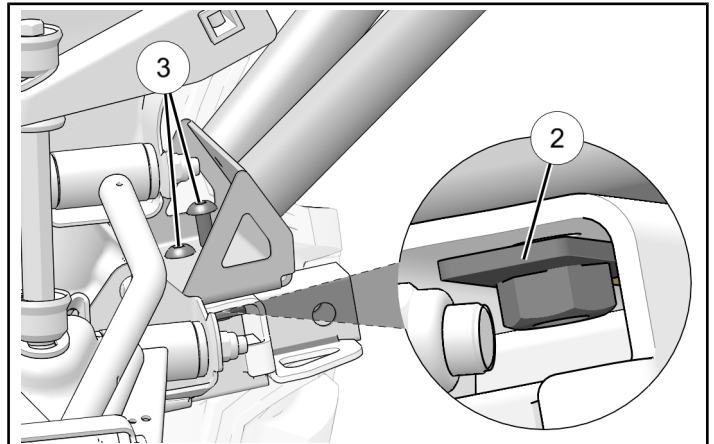
3. Install the left upper bumper fastener ③. Repeat this step to install right upper bumper fastener.

NOTICE

Do not tighten fasteners at this time.



4. Slide the bumper weld-mounts ② into the hitch plate portion of the frame and install the fasteners ③ from the top down to secure the bottom of the rear bumper.



5. Torque all fasteners to specification.

TORQUE

Rear Bumper Fasteners:
17 ft-lbs (23 N·m)

INSTRUCTION FEEDBACK FORM

A feedback form has been created for the installer to provide any comments, questions or concerns about the installation instructions. The form is viewable on mobile devices by scanning the QR code or by clicking [HERE](#) if viewing on a PC.

