

STORAGE BOX KIT



P/N 2882882

APPLICATION

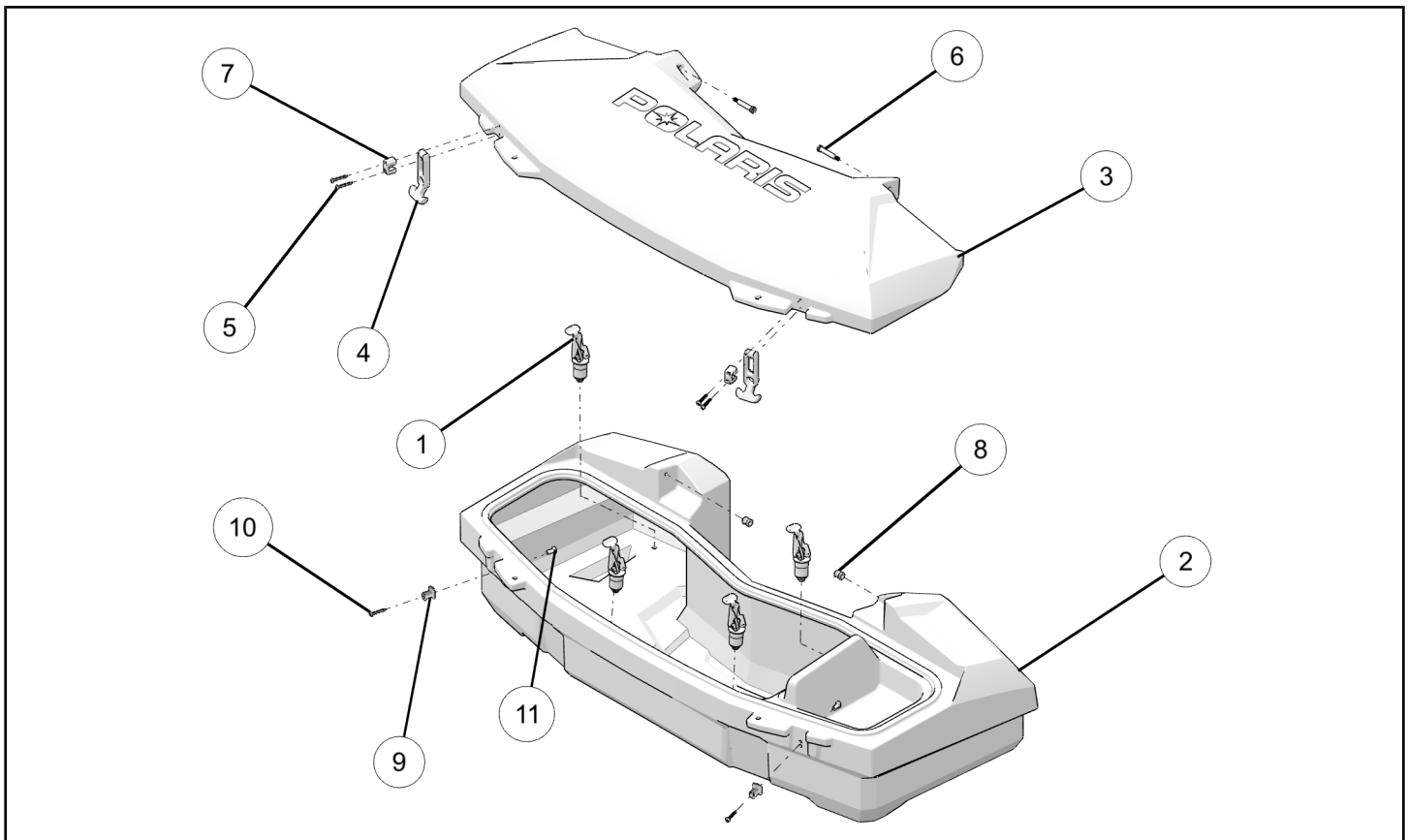
Verify accessory fitment at Polaris.com.

BEFORE YOU BEGIN

Read these instructions and check to be sure all parts and tools are accounted for. Please retain these installation instructions for future reference and parts ordering information.

KIT CONTENTS

This Kit includes:



REF	QTY	PART DESCRIPTION	PART NUMBER
1	4	LOCK & RIDE® Anchor Kit	2876420
2	1	Storage Box, Base	-
3	1	Storage Box, Lid	-
4*	2	Latch	-
5*	4	Screw, #10 X 1.25	-
6*	2	Shoulder Bolt, 5/6" Dia X 1-3/8" Long	-
7*	2	Bracket	-
8*	2	Insert	-

REF	QTY	PART DESCRIPTION	PART NUMBER
9*	2	Keeper	-
10*	2	Screw, 10-24 X 1/1-4	-
11*	2	Insert	-
12	1	3/8" Drill Bit (Not shown)	
	1	Instructions	9927751

Items marked (*) are included in Hardware Kit PN 2206601.

TOOLS REQUIRED

- Safety Glasses
- 13mm Wrench
- Drill

IMPORTANT

Your STORAGE BOX KIT is exclusively designed for your vehicle. Please read the installation instructions thoroughly before beginning. Installation is easier if the vehicle is clean and free of debris. For your safety, and to ensure a satisfactory installation, perform all installation steps correctly in the sequence shown.

ASSEMBLY TIME

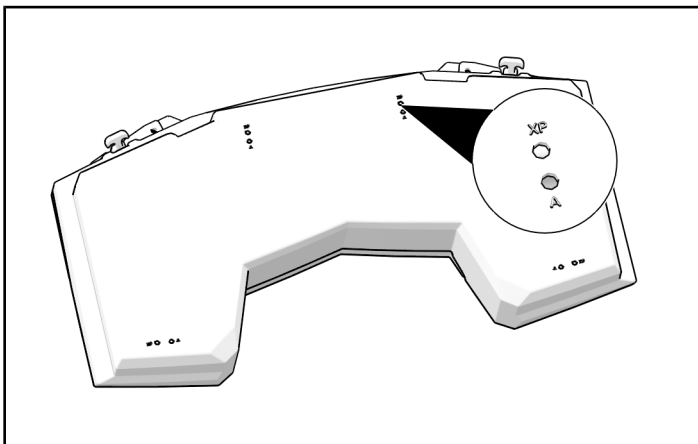
Approximately 15 minutes

KIT ASSEMBLY

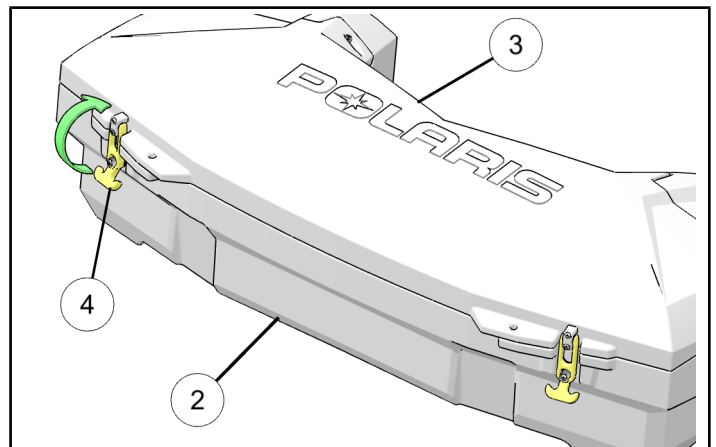
Before you can install the Storage Box you will need to determine which model you will be installing it on. The Storage Box has been designed to fit both the Sportsman XP® and the 570 models. The bottom of the Storage Box has had the LOCK & RIDE® expansion anchor hole locations pre-marked on the underside of the Storage Box for the different models. You will need to use the supplied 3/8" drill bit and drill out the correct holes for your specific model of vehicle.

ASSEMBLY PROCEDURE

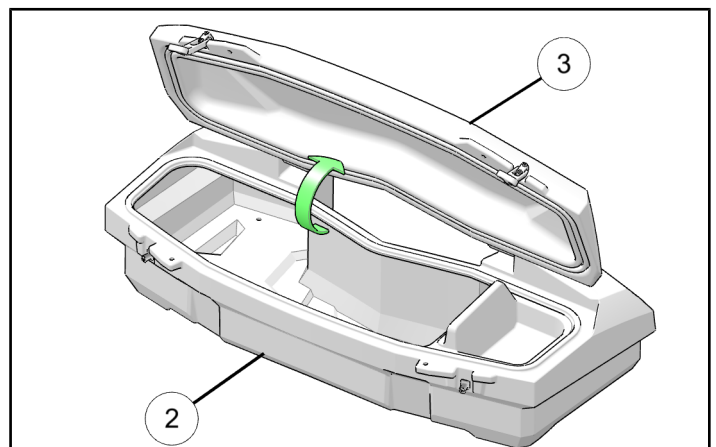
1. Position the Storage Box so you will be able to drill the four predetermined mounting hole locations.
2. For Sportsman XP® models you will need to drill the holes marked with the "XP". For 570 models drill the holes marked "A".



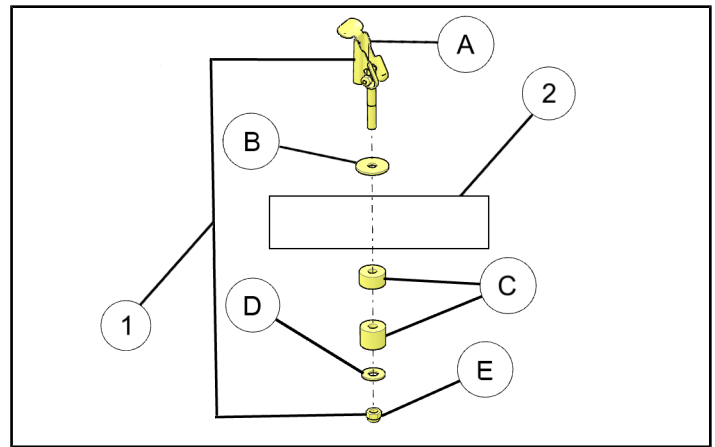
3. After drilling mounting holes, turn the Storage box ② right side up and detach rubber latches ④ as shown.



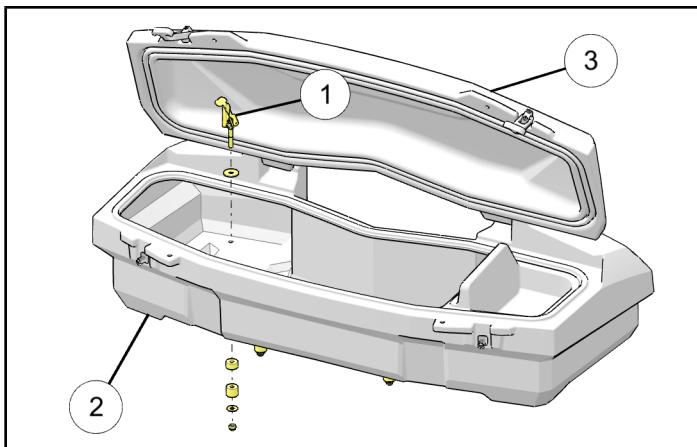
4. Open the storage box lid ③.



- Install the four LOCK & RIDE® expansion anchors ① per expansion anchor kit instructions into the holes you drilled in the storage box ②. Insert anchor rod with lever (A) and plastic washer (B) from the top into storage box ② mounting holes and assemble rubber bushings (C), metal washer (D), and nut (E) on the bottom side of storage box ② as shown.

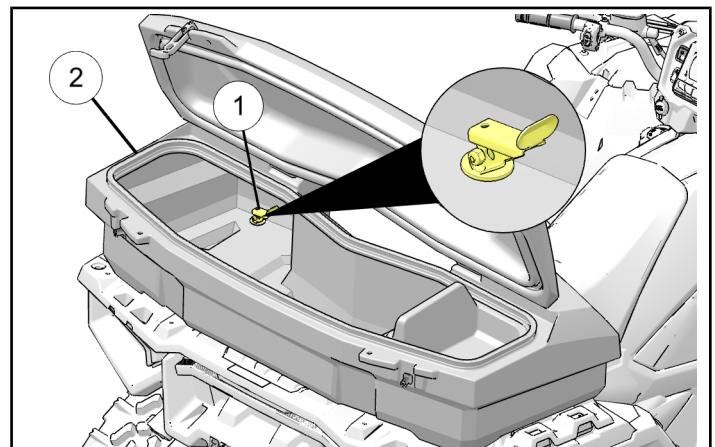
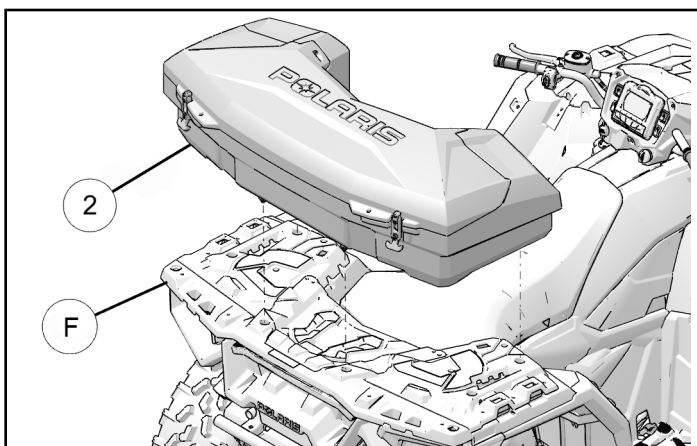


NOTE
Ensure all four LOCK & RIDE® anchor components are installed in the correct order as shown.

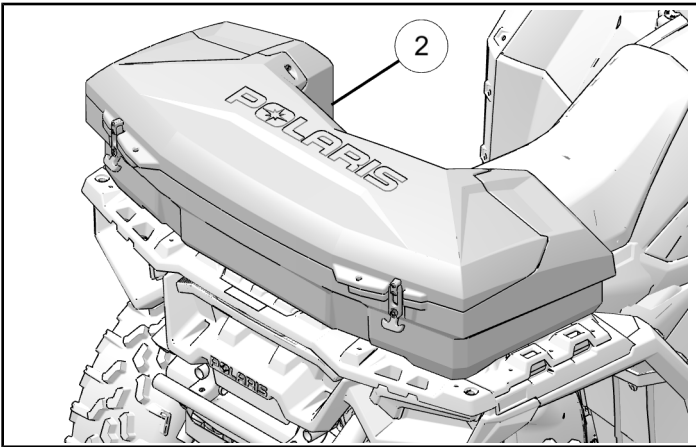


INSTALLATION INSTRUCTIONS

- Shift vehicle transmission into “PARK”. Turn key to “OFF” position and remove from the vehicle.
- Place storage box assembly ② onto the rear rack (F) by inserting four unlocked expansion anchors ① into holes on rear rack (F).
- Once in position, depress expansion anchor ① cams to lock storage box ② on the rear rack as shown. If installation is loose, remove storage box and LOCK & RIDE® anchors ①, tighten nut (E) at anchor base, and reinstall.



4. Final installation of storage box ② on vehicle as shown.



COMPATIBILITY

Storage box kit is compatible with following accessory kits.

- Stronghold Gun Boot Mount Kit (PN 2882272)
- Stronghold Gun Boot Kit (PN 2882036)
- Rear Rack Extender Kit (PN 2882023)
- Bodyguard Kit (PN 2882090)

Storage box kit is not compatible with following accessory kits.

- Tall Rack Extender Kit (PN 2882025)
- Modular Rack Extender Kit (PN 2882270)

FEEDBACK FORM

A feedback form has been created for the installer to provide any comments, questions or concerns about the installation instructions. The form is viewable on mobile devices by scanning the QR code or by clicking [HERE](#) if viewing on a PC.

