

SPORTSMAN INTEGRATED WINCH KIT



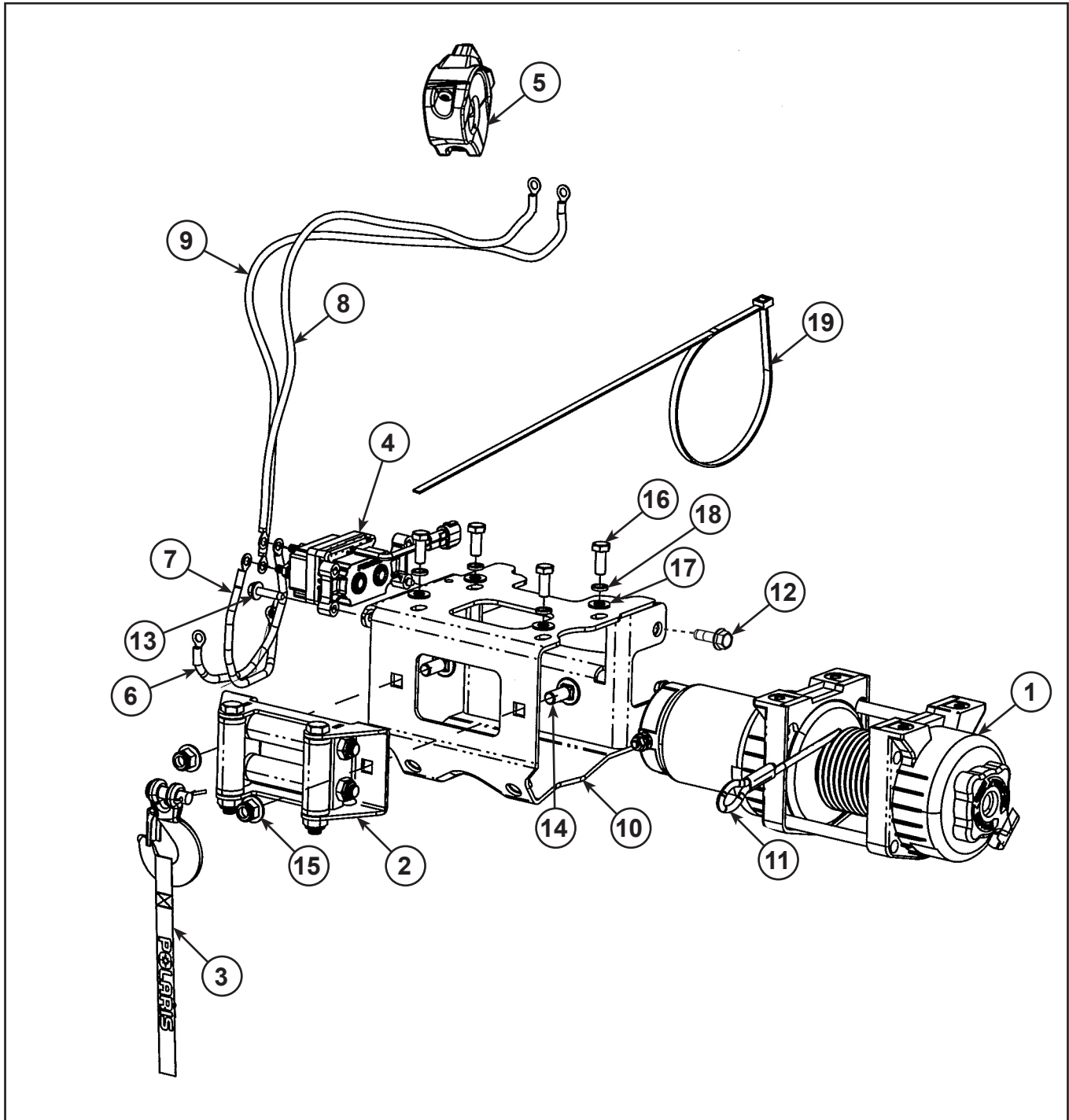
P/N 2880432; 2880434

APPLICATION

MY15 SPORTSMAN (Non-XP Models)

BEFORE YOU BEGIN

Read these instructions twice and check to be sure all parts and tools are accounted for. Please retain these installation instructions for future reference and parts ordering information.



KIT CONTENTS

Ref	Qty	Part Description	Part Number	
			2880432	2880434
1	1	Winch-POLARIS, 3.5/2.5	2205637	2205639
2	1	Roller-Fairlead Winch	2411848	2411848
3	1	Hook-Latch Winch	2411836	2411836
4	1	Contactator	4015095	4015095
5	1	Switch-Handlebar	2205636	2205636
6	1	Winch Cable, Yellow 6 GA (mm)	4013468-300	4013468-300
7	1	Winch Cable, Blue 6 GA (mm)	4013469-300	4013469-300
8	1	Power Cable, Black 6 GA (mm)	4013470-610	4013470-610
9	1	Power Cable, Red 6 GA (mm)	4013471-610 WC	4013471-610 WC
10	1	Mounting Bracket Note: Mounting bracket and winch can be ordered as PN 2205834 (2.5) or PN 2205835 (3.5)	-	-
11	1	Winch Cable	2878890	2878888
12*	4	M8x25mm Flange Head Bolt	-	-
13*	2	Screw - TFHFL-M6X1.0X25, ZOD	-	-
14*	2	M10 Carriage Bolt	-	-
15*	2	M10 Nylock Nut	-	-
16*	4	M8X1.25X20L-13H Hex Bolt	-	-
17*	4	M8 Flat Washer	-	-
18*	4	M8 Split Washer	-	-
19	5	Panduit Strap	7080492	
	1	Winching Guide	9923644	
	1	Instructions	9925461	

ITEMS MARKED (*) ARE INCLUDED IN HARDWARE KIT PN 2880643.

TOOLS NEEDED

12 mm Socket	#1 Philips Screwdriver	6 mm Allen Wrench
Knife	10 mm Socket	Wire Cutter
T30 Torx	T25 Torx	

APPROXIMATE ASSEMBLY TIME

20 mins

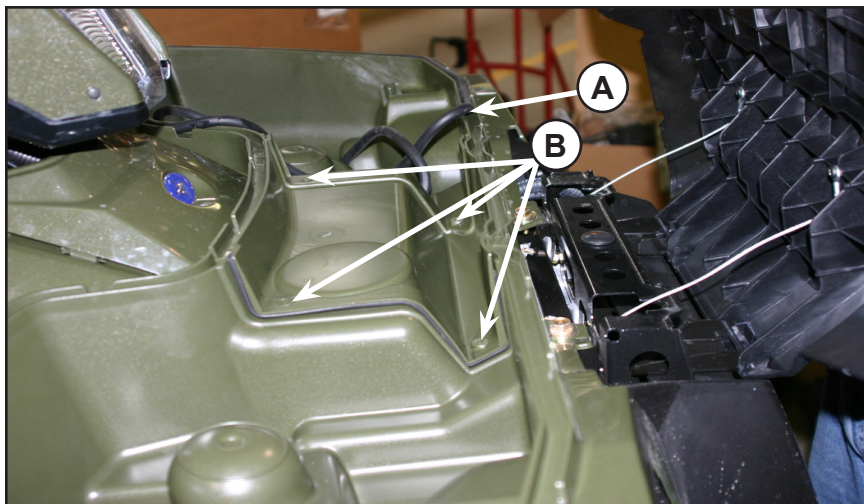
NOTE: This kit contains the same components as the 2880433/2880435 kits, but have been pre-assembled differently. If you need to install this kit on a Sportsman XP, see the photos on the last page that shows the contactor location and the wire routing for those kits, and reassemble the contactor and wiring to match those photos. You will need to download instruction manual 9925523 and follow those instructions for final installation.

IMPORTANT

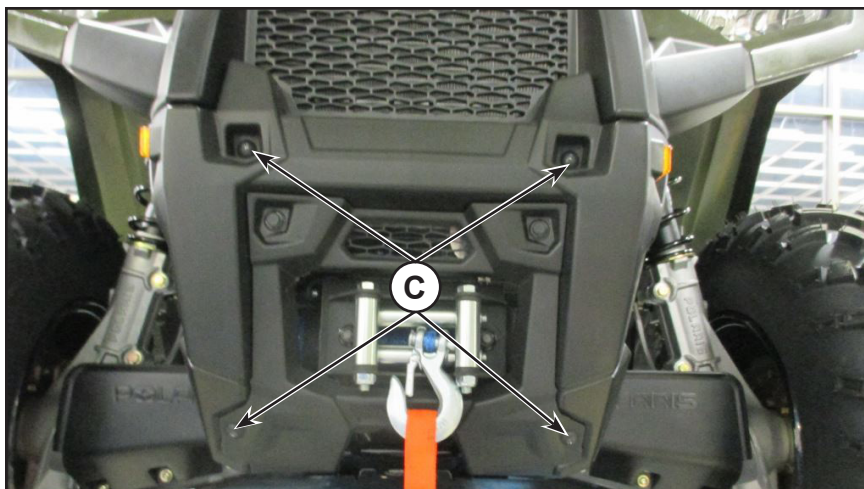
Your Polaris SPORTSMAN WINCH KIT is exclusively designed for your vehicle. Please read the installation instructions thoroughly before beginning. Installation is easier if the vehicle is clean and free of debris. For your safety, and to ensure a satisfactory installation, perform all installation steps correctly in the sequence shown.

INSTALLATION INSTRUCTIONS

1. Place the vehicle in “**PARK**” and turn the key to “**OFF**” position. Remove the key from the vehicle.
2. Lift up front rack. Remove seal (A) and four Torx screws (B) retaining center section of box. See figure.



3. Disconnect the positive (red) wire and the negative (black) wire from the battery by using a 10 mm wrench.
4. Remove accessory front brushguard if equipped.
5. Remove front grille guard from vehicle by removing four bolts (C) shown in Figure. Save fasteners for reinstallation.



6. Remove center winch fairlead cover.
If you plan to use a plow, remove this cover from the front grille guard and do not reinstall. If you do not plan to use a plow on your vehicle, you can cut out the center section as shown and reinstall this on the front grille guard if you desire, but it is not required.



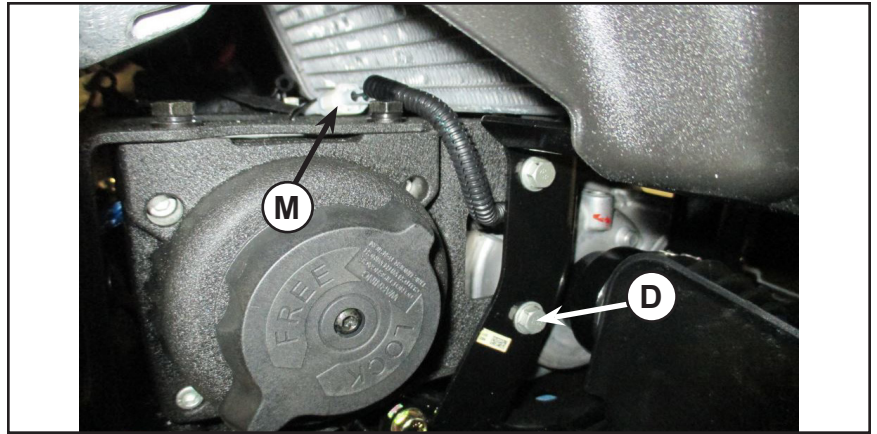
7. Confirm wire routing matches the figure shown for this vehicle. Make any adjustment necessary to wire routing before moving to next step.



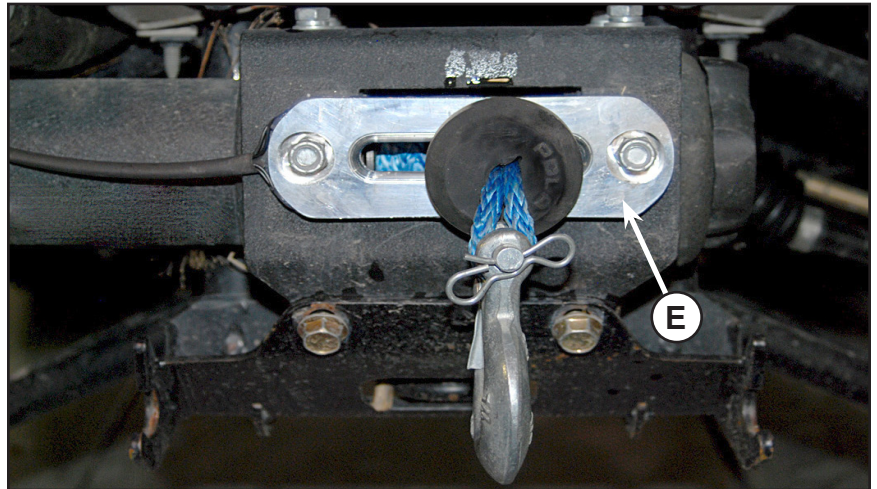
WINCH INSTALLATION:

NOTE: Check the fluid level in the gear case prior to installing the winch. Add the proper fluid as required. This process will be difficult to do after the winch is installed.

1. Locate white contactor connector (M) as shown in figure. Clip panduit, remove the cap.
2. Attach the winch to the vehicle with four M8 bolts (D) to the frame. Torque to 20 ft. lbs. (27.1 Nm). See Figures.



IMPORTANT: If you plan to install the Auto Stop Fairlead (E) as shown in figure, see Auto for additional information on function of this feature.



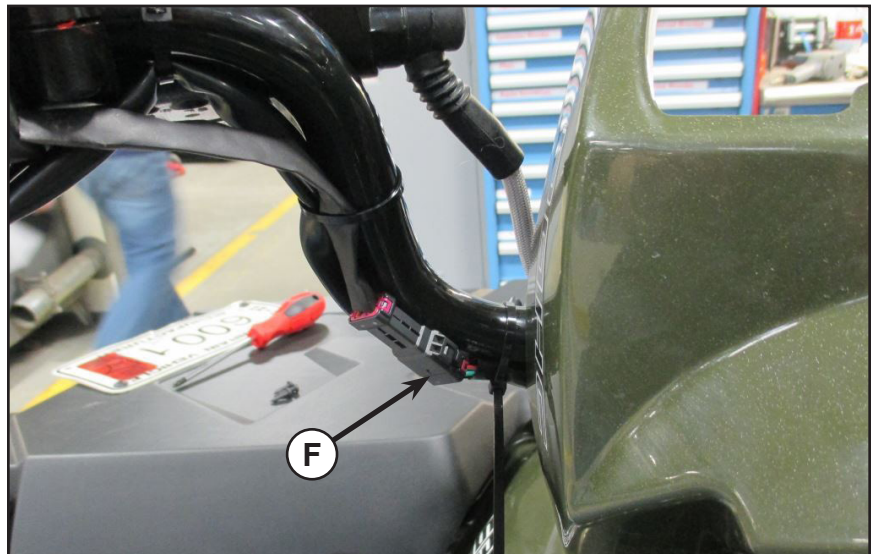
3. Route red and black wires on the side of the radiator then behind it to reach the three terminal "Bus Bar". Connect wires to bus bar using nuts assembled to the bus bar. If there is more than one nut on the bus bar, remove both before assembling winch-cable. Only one nut is necessary for re-installation.

WARNING: When routing wires on vehicle be sure they do not come in contact with radiator or sharp edges.

4. Check wire routing and attach wires to frame with panduits to prevent contact with the radiator and possible shorting.

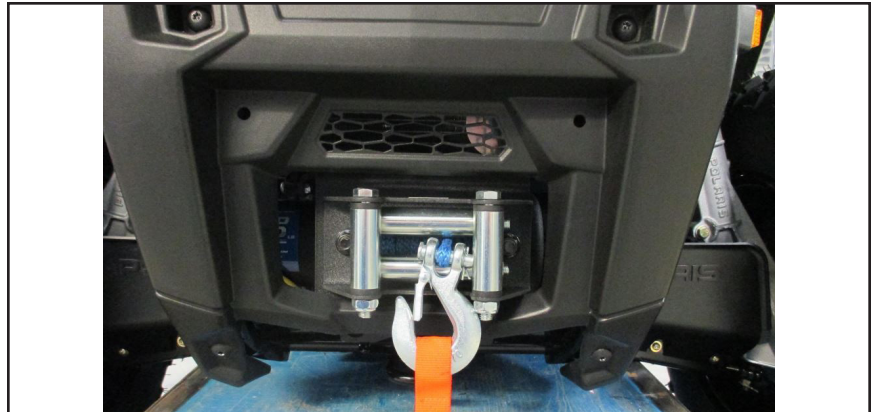
SWITCH INSTALLATION:

1. Install the winch rocker switch assembly (H) by using the supplied screws.
2. Tighten the screws until assembly is tight, but not more than 2ft. lbs. (2.7 Nm).
3. Remove cap from connector. Connect the switch to the connector on the main wire harness (MY15 Vehicles). Connector should be located just where handlebar harness exits the rod.
4. Locate the white connector on the contactor (F) and connect it to the corresponding connector on the vehicle harness.



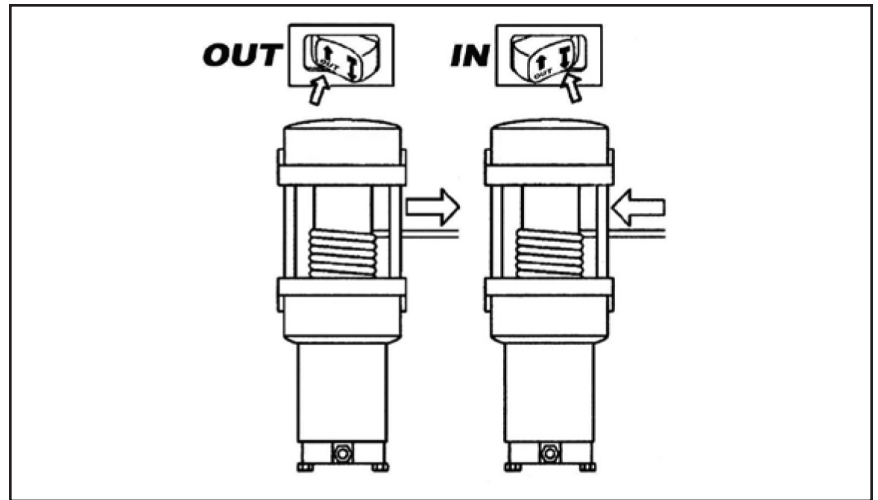
FINAL INSTALLATION:

1. Reinstall lower grille (G) and face plate. If you plan to use a plow, leave the face plate off. See two figures to note the difference between using the face plate and not.
2. Tighten all grille guard fasteners.
3. Reconnect the red and black wires to the battery.
4. Secure all wiring away from moving or rotating parts.
5. Reinstall accessory brushguard (if equipped).
6. Connect the hook to the cable or rope by using hardware included in kit.



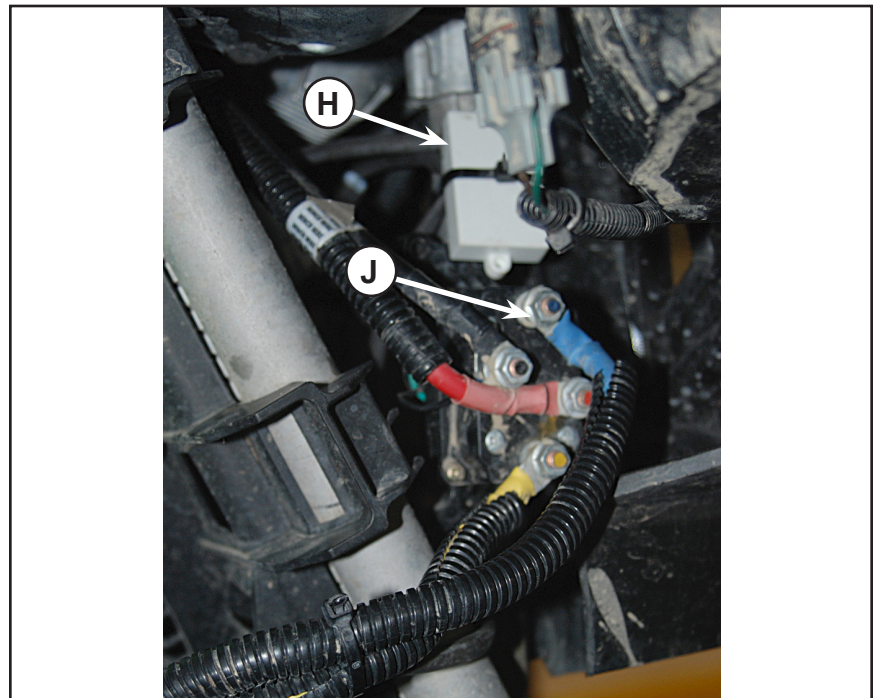
FINAL INSPECTION:

1. Confirm that all wiring is correct.
2. All loose wires need to be wrapped tight, and secured away from moving parts and heat sources.
3. Confirm that there are no exposed wires or terminals.
4. With the vehicle key in the ON position, check winch for proper operation.
5. Retighten all hardware after 30 minutes of riding.

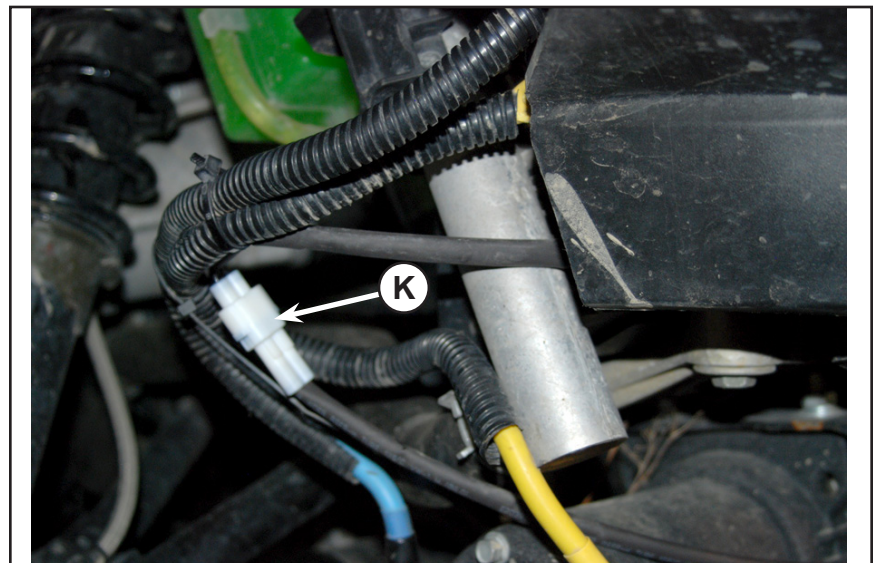


FUNCTION OF THE AUTO STOP FEATURE:

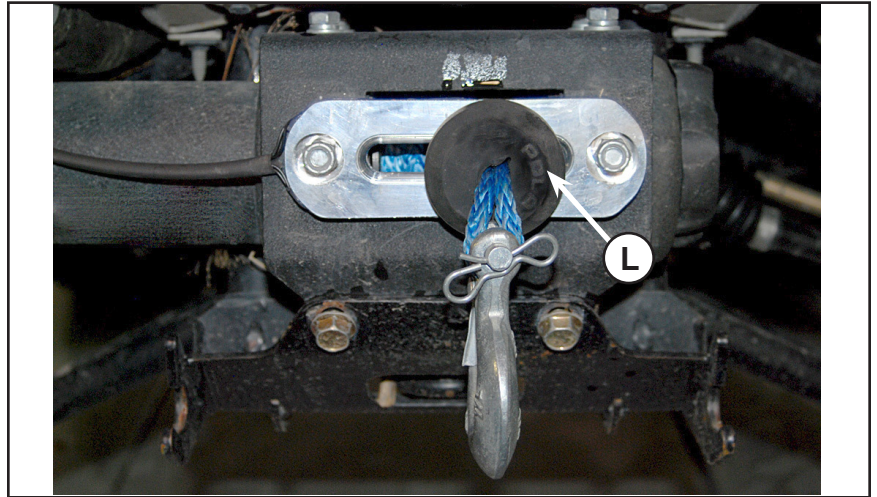
1. Wire routing will be simplest if the wires are located on the passenger side of the vehicle. Place the control box (H) close to the winch contactor (J) and extend the longer wire toward the fairlead. See figure.



2. Disconnect the remote control from the winch contactor, and plug (K) those two connectors into the corresponding connectors on the control harness. See figure.



3. Thread the winch rope through the fairlead, then thread the rope through the rubber bump stop with the "POLARIS" label (L) facing outward toward the front of the vehicle. The rubber bump stop is supposed to be tight on the rope, so use a string or plastic cable tie tied around the end of the rope to pull the rope through the bump stop. It is helpful to apply a small amount of rubbing alcohol or other non-corrosive lubricant to the rubber stop to ease the rope through the hole. Once the rope is through the hole, attach the hook to the rope with the cotter pin as instructed in the winch kit. See figure.



4. Before use, confirm the proper function of the Auto Stop by turning on the winch and spooling it in. The rubber stop should get close to the fairlead and the winch should turn off automatically. If it does not, check that all connections are made properly and that the rubber stop is facing with the "POLARIS" side facing outward and re-test.

The Auto Stop system is meant to help prevent damage to the winch system from over-tightening of the rope, but is not meant to prevent all foreseeable winch damage. Keep in mind that the winch system is very powerful and care should be exercised whenever it is in operation. The winch operator is always responsible for using the winch properly and the Auto Stop system should only be used as a secondary preventive measure to help prevent damage to the winch from over-tightening the rope.

Note: If you plan to install this kit on a Sportsman XP model, reconfigure the contactor and wires to match the photo and request your dealer to provide instructions PN 9925523 for proper installation.

