

SPORTSMAN REAR BUMPER KIT

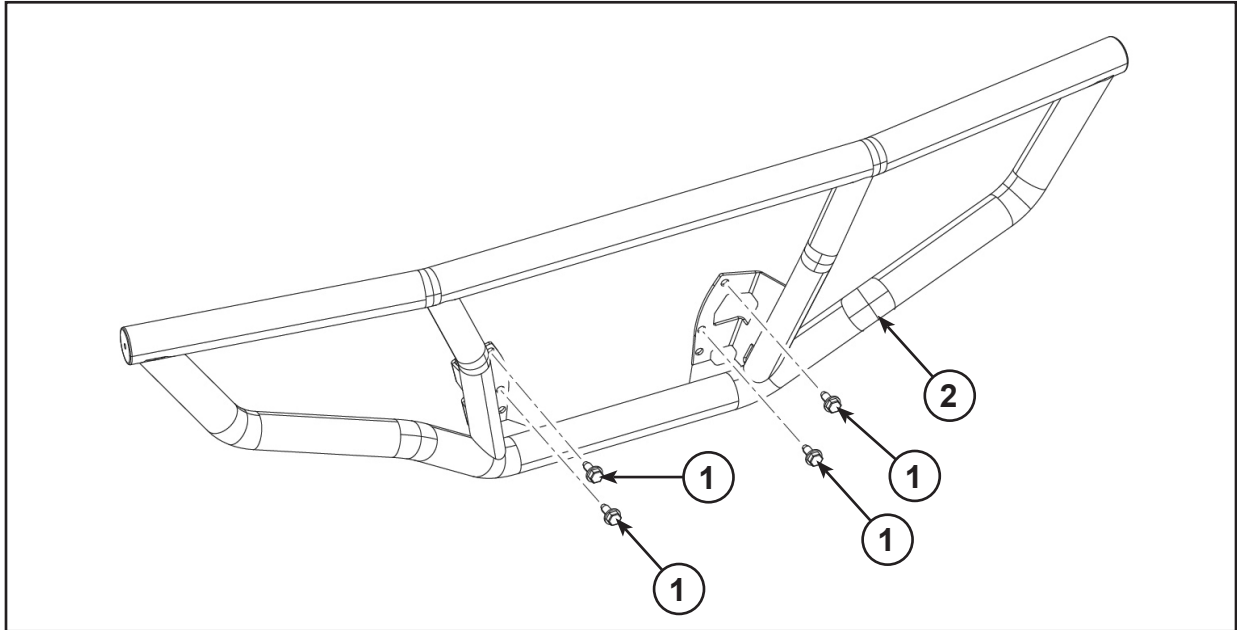
P/N 2879715



Application

ALL 2011 AND MORE RECENT SPORTSMAN
400/500/800 EXCEPT 500 TOURING AND 6 X 6

Before you begin, read these instructions twice and check to be sure all parts and tools are accounted for. The following instructions contain details required to install the contents of this kit.



Kit Contents:

<u>Ref</u>	<u>Qty</u>	<u>Part Description</u>	<u>Part Number</u>
1*	4	5/16"-18 x 3/4" Self-Tapping Screw	-
2	1	Rear Bumper	-
	1	Instructions	9925002

Item marked (*) are included in Hardware Kit PN 2205226.

Tools Required:

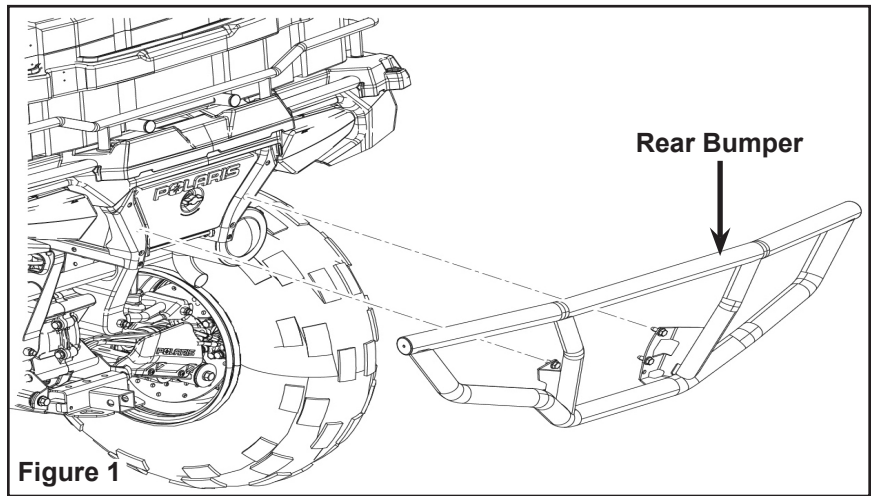
Standard Socket Set

APPROXIMATE ASSEMBLY TIME: 10 minutes

IMPORTANT: Your Polaris SPORTSMAN REAR BUMPER KIT is exclusively designed for your vehicle. Before beginning, please read these instructions and make sure that all parts and tools are at your disposal. Keep these instructions for future reference or for any information requests. To facilitate installation, make sure that your vehicle is clean and free of debris.

INSTALLATION INSTRUCTIONS:

1. Position the bumper in place on rear of the vehicle. Locate the holes in frame that match with the bumper mounting holes. Figure 1.



2. Install four self-tapping screws using standard socket set. Tighten screws until snug. Over tightening of self-tapping screws can result in stripped threads in the frame. Figure 2.

